

## Active Line Array loudspeaker

LA-2800P/LA-1800P



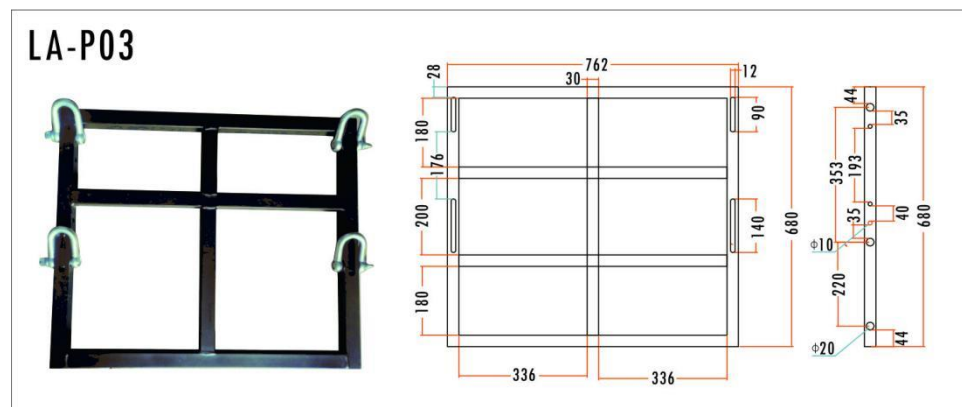
LA-1800P



LA-2800P



## Mounting Bracket



## Description

Active line array speakers consist of digital amplifier and loudspeaker, with high efficiency sound output, excellent sound quality, perfect protection function and

nice electromagnetic compatibility features. With 220VAC power Voltage( the input power voltage can be custom-made) Adopt lifting line array design; Support 0-14 degree angular range to adjust the speaker sound coverage area. It has the advantage of compact, convenient and simple installation.

### Features

- \* Plug and play, easy operation
- \* Adopt aluminum alloy lifting bracket, easy and fast hanging way, convenient for project installation.
- \* With strong power; smooth, soft and clear sound quality
- \* Adopt digital power amplifier, with the features of good sound quality, high efficiency and strong stability.
- \* Perfect protection function: short circuit protection, over current protection, over temperature protection and over & under voltage protection.
- \* Product application is wide, such as: conference hall, multi-function hall, enterprise, school, gym and etc.

### Specifications

Model	LA-2800P	LA-1800P
Description	Active Line Array Full rang speaker (Two Frequency)	Active Low Frequency Speaker
Power	300W(AES)	500W(AES)
Max power	600W	1000W
Impedance	8 Ω	4 Ω
Frequency range	70Hz-20KHz	40Hz-800Hz
SPL (1W/1M)	100dB (1M/1W)	100dB (1M/1W)

Max SPL (1M)	124.8dB/W/M	127dB/W/M
Input sensitivity	0dB	0dB
Low Frequency speaker	8" x 2	18" x 1
Low frequency speaker	44mm (1.73") Compressed Driver x 1	/
Horizontal cover Angle(-6dB)	90°	/
Vertical cover Angle(-6dB)	10°	/
Net weight	28.2Kg	42.9Kg
Dimension(H×D×W)	(300+195) × 380 × 750mm	550 × 600 × 750 mm