

Features

- Built-in 100v/70v transformer
- Pendant type loudspeaker for high roof applications
- Suitable for hotel lobby or cash desk use
- 6" full range speaker driver
- Power taps at 15w@100V
- ABS enclosure & metal grille of black color
- With security ring lock to prevent from drop

Description

The T-200D is a pendant speaker built-in 70v/100v transformer. The 70v/100v transformer technique reduces line losses on longer distance and allows easy parallel connection of multiple loudspeakers.

The built-in 6" full range speaker driver is designed of wide frequency response 100-16kHz, the multiple power taps of 15W could meet different applications varies from room size and ambient noise surroundings.

Easy and secure wall mount installation to be suspended on the roof the hotel lobby or super market's case desk.

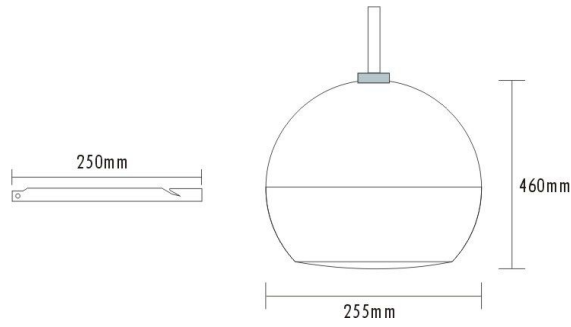
It is ideal choice for industrial and commercial applications for hotel, super market, exhibition center, shopping mall, where background music and paging is needed.



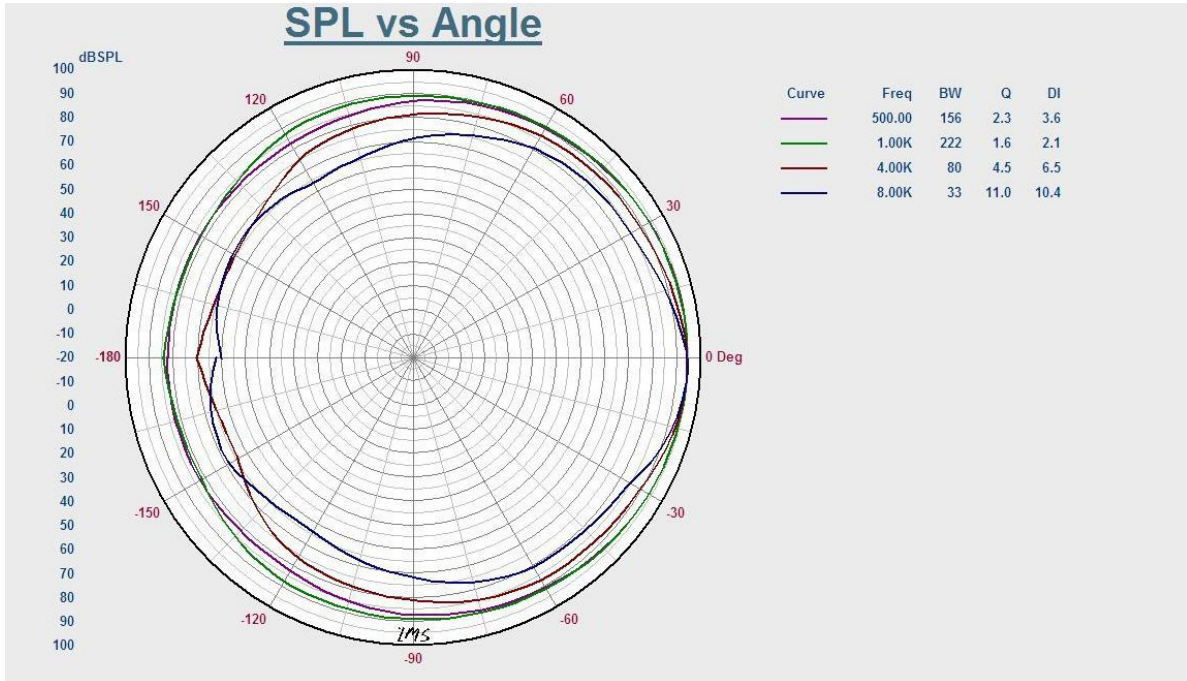
Specification

Model	T-200D
Power Taps @100V	15W
Power Taps @70V	7.5W
Impedance	Blue: com, Red:670Ω
SPL(1W/1M)	86dB
Max. SPL (Rated W/1M)	98dB
Frequency Response (-10dB)	100-16KHz
Finish	Baffle: ABS, black Grille: Steel, black
Speaker Driver	6" x 1
Dimensions	255 x 460mm
Weight	2.6Kg
Mounting	With mounting bracket fixed by screw

Appearance:



Direction Diagram:



Frequency Response:

